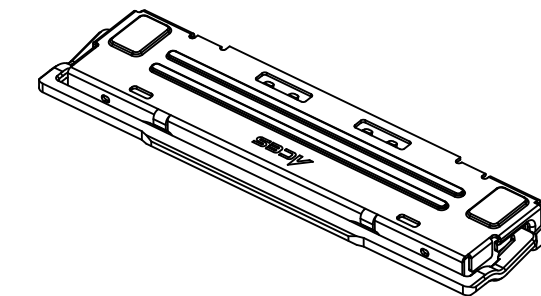
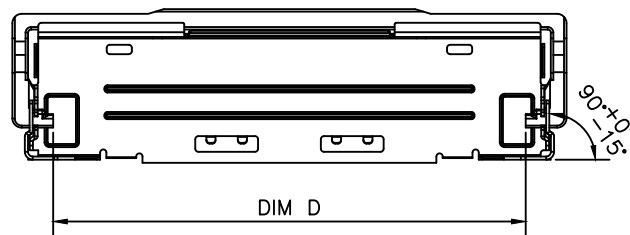
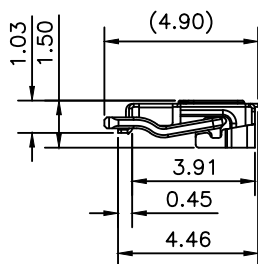
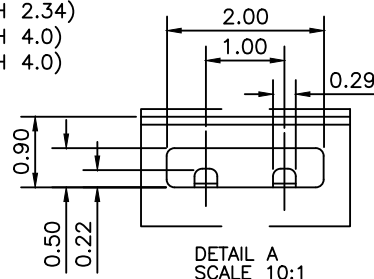


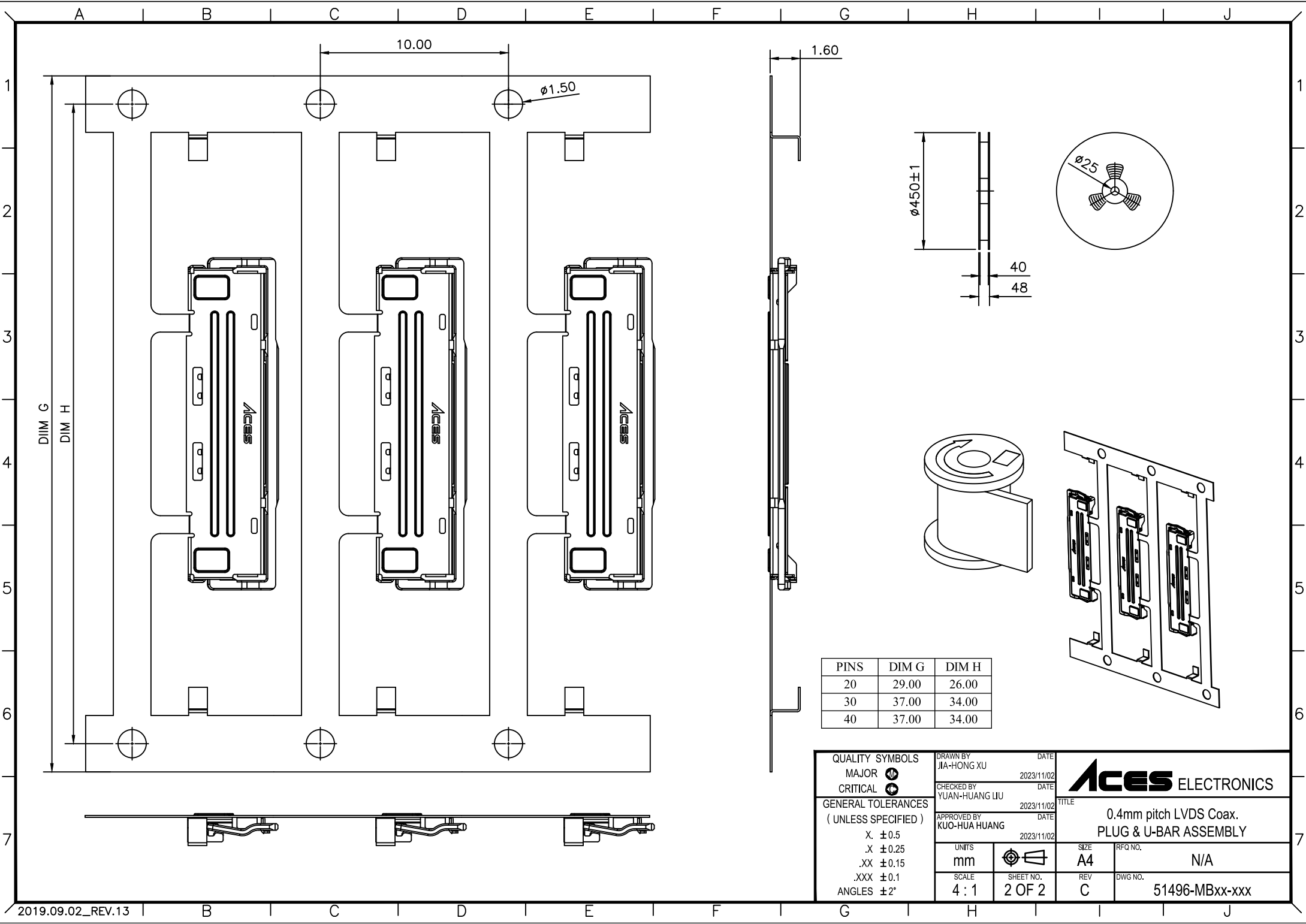
DETAIL A
 QUANTITY
 20PIN:2 (PITCH 2.34)
 30PIN:2 (PITCH 4.0)
 40PIN:3 (PITCH 4.0)



- NOTES:
 1. MATERIAL:STAINLESS STEEL
 2. FINISH:
 2.1 U-BAR: NONE
 2.2 SHELL: OVERALL NICKEL 50u" MIN.
 GOLD FLASH(0.5u" MIN.) ON SOLDERING AREA
 3. PACLING QUANTITY : 5K PCS/PER REEL
 4. CABLE ASSEMBLY SPEC PLS. REFER TO PS-51496-XXXXX-XXX
 5. PART NUMBER
 51496-MB2x-xxx 020: 20PIN
 030: 30PIN
 040: 40PIN
 TYPE _____ PLATING
 B: SHELL WITH U-BAR P:See Note.2

| PINS | DIM A | DIM B | DIM C | DIM D | DIM E | DIM F |
|------|-------|-------|-------|-------|-------|-------|
| 20 | 12.85 | 12.24 | 13.65 | 11.05 | 2.34 | 6.84 |
| 30 | 16.85 | 16.24 | 17.65 | 15.05 | 4.00 | 10.84 |
| 40 | 20.85 | 20.24 | 21.65 | 19.05 | 8.00 | 14.84 |

| | | |
|---|--|--|
| QUALITY SYMBOLS MAJOR Ⓢ CRITICAL Ⓢ | DRAWN BY JIA-HONG XU DATE 2023/11/02 | |
| GENERAL TOLERANCES (UNLESS SPECIFIED) | CHECKED BY YUAN-HUANG LIU DATE 2023/11/02 | |
| X. ±0.5 .X ±0.25 .XX ±0.15 .XXX ±0.1 ANGLES ±2° | APPROVED BY KUO-HUA HUANG DATE 2023/11/02 | TITLE 0.4mm pitch LVDS Coax. PLUG & U-BAR ASSEMBLY |
| | UNITS mm | SIZE A4 |
| | SCALE 4 : 1 | REV C |
| | SHEET NO. 1 OF 2 | RFQ NO. N/A |
| | | DWG NO. 51496-MBxx-xxx |



10.00

∅1.50

1.60

∅4.50±1

40

48

∅25

| PINS | DIM G | DIM H |
|------|-------|-------|
| 20 | 29.00 | 26.00 |
| 30 | 37.00 | 34.00 |
| 40 | 37.00 | 34.00 |

| | | | |
|---|------------------------------|--------------------|---|
| QUALITY SYMBOLS MAJOR CRITICAL | DRAWN BY JIA-HONG XU | DATE 2023/11/02 | |
| | CHECKED BY YUAN-HUANG LIU | DATE 2023/11/02 | |
| GENERAL TOLERANCES (UNLESS SPECIFIED) X ±0.5 .X ±0.25 .XX ±0.15 .XXX ±0.1 ANGLES ±2° | APPROVED BY KUO-HUA HUANG | DATE 2023/11/02 | TITLE 0.4mm pitch LVDS Coax. PLUG & U-BAR ASSEMBLY |
| | UNITS mm | | SIZE A4 |
| SCALE 4 : 1 | SHEET NO. 2 OF 2 | REV C | DWG NO. 51496-MBxx-xxx |